

Sample Cylinders Compliant with the Transportable Pressure Equipment Directive (TPED)



Application

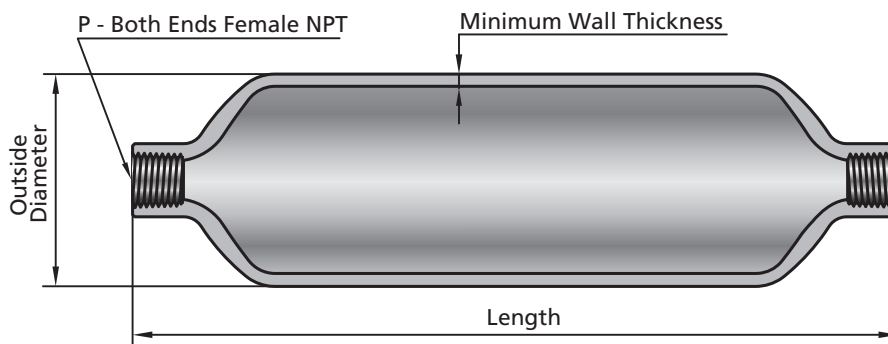
- ⦿ Hydrocarbon sampling for refineries
- ⦿ Gas sampling for chromatography experiments
- ⦿ Condensate sampling for fossil fuel power plants and nuclear power plants
- ⦿ As surge accumulators or reaction vessels
- ⦿ Snubbers in reactor feed lines

Features

- ⦿ Volumes from 40 to 3785 cm³ (1 gal)
- ⦿ 1/8", 1/4" and 1/2" female NPT connections
- ⦿ Spun cylinder body machined from seamless tubing to provide consistent wall thickness, size and capacity
- ⦿ Cold-formed female NPT threads to provide high strength
- ⦿ All models internally sandblasted to ensure smooth surface without foreign particles
- ⦿ 304L SS and 316L SS available
- ⦿ Cylinders compliant with Transportable Pressure Equipment Directive 2010/35/EU

Technical Data

Dimensions are for reference only and are subject to change.



Basic Ordering No.	Pressure Rating at -58 to 122 °F (-50 to 50 °C) psig (bar)	Internal Volume (cm ³ ±10%)	P - Female NPT	Dimensions, in. (mm)			Weight lb (kg)	
				Outside Diameter	Length	Minimum Wall Thickness		
4L-SC13-N2-40	1885 (130)	40	1/8"	1.25 (31.80)	3.88 (98.60)	0.070 (1.80)	0.31 (0.14)	
4L-SC13-N4-50		50	1/4"	1.50 (38.10)	3.75 (95.20)		0.38 (0.17)	
4L-SC13-N4-75		75			4.94 (125.00)		0.62 (0.28)	
4L-SC10-N4-150	1450 (100)	150	1/4"	2.00 (50.80)	5.25 (133.00)	0.093 (2.40)	0.94 (0.43)	
4L-SC10-N4-300		300			8.94 (227.00)		1.80 (0.83)	
4L-SC10-N4-400		400			11.40 (290.00)		2.10 (0.95)	
4L-SC10-N4-500		500			13.80 (351.00)		2.61 (1.20)	
4L-SC10-N4(8)-1000	4350 (300)	1000	1/4" or 1/2"	3.50 (88.90)	10.90 (277.00)	0.180 (4.60)	6.50 (2.90)	
4L-SC10-N4(8)-2250		2250		4.00 (102.00)	17.20 (437.00)		0.206 (5.20)	14.00 (6.40)
4L-SC10-N4(8)-3785		3785			26.70 (678.00)			21.00 (9.50)
6L-SC10-N4-300	1450 (100)	300	1/4"	2.00 (50.80)	8.94 (227.00)	0.093 (2.40)	1.80 (0.83)	
6L-SC10-N4-500		500			13.80 (351.00)		2.61 (1.20)	
6L-SC10-N4(8)-1000		1000			3.50 (88.90)		10.90 (277.00)	0.180 (4.60)
6L-SC30-N4-150	4350 (300)	150	1/4"	1.90 (48.20)	8.00 (203.00)	0.240 (6.10)	3.00 (1.40)	
6L-SC30-N4-300		300			14.50 (368.00)		5.60 (2.50)	
6L-SC30-N4-500		500			23.50 (597.00)		9.10 (4.10)	

Options of Internal Surface Treatments

PTFE Coating

The cylinder internal surface can be coated with PTFE to provide nonstick surface for easy cleaning.

Electropolishing

Electropolishing can provide a clean internal surface with a high degree of passivation.

Testing

Each TPED-compliant sample cylinder is hydrostatically tested at 1.5 times the working pressure.

Cleaning and Packaging

All FITOK TPED-compliant sample cylinders are cleaned and packaged in accordance with FITOK *FC-01 Standard Cleaning and Packaging*.

FITOK FC-02 Special Cleaning and Packaging compliant with the requirements of ASTM G93 Level C is optional.

Special Application Sample Cylinder

SilcoNert® 2000 (Sulfinert®) coated sample cylinders available, SilcoNert® 2000 (Sulfinert®) coating to provide stable storage of sulfur and mercury compounds at ppb levels in petroleum samples for a long time.

SilcoNert® 2000 (Sulfinert®) coating not flaking off and more durable than Teflon coating.

To order SilcoNert® 2000 (Sulfinert®) coated products, please add -SI as a suffix to the standard ordering number.

Example: 6L-SC10-N4-H2-300-SI

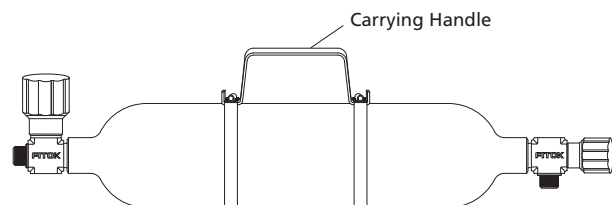
Sample Cylinder Accessories

Carrying Handle

The carrying handle provides convenience for transportation of sample cylinders. The handle is made of 304 SS and is available for 300 cm³ cylinders or larger cylinders.

Ordering Information

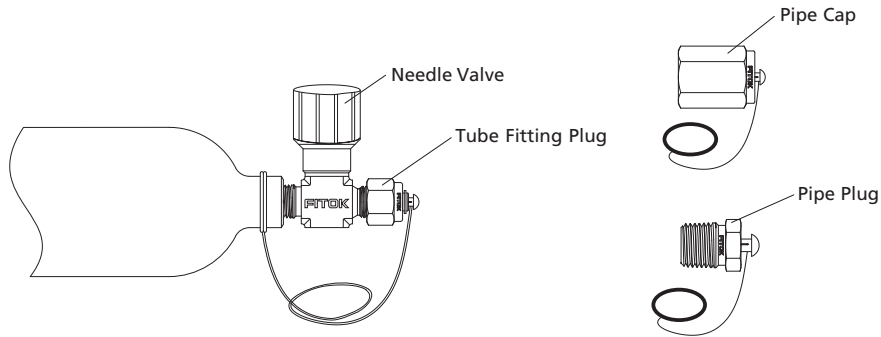
Outside Diameter in. (mm)	Internal Volume cm ³	Basic Ordering No.
1.9 (48.2)	300~500	HD-CY2-H2
2.0 (50.8)		
3.5 (88.9)	1000	HD-CY3-H2
4.0 (102)	2250/3785	HD-CY4-H4



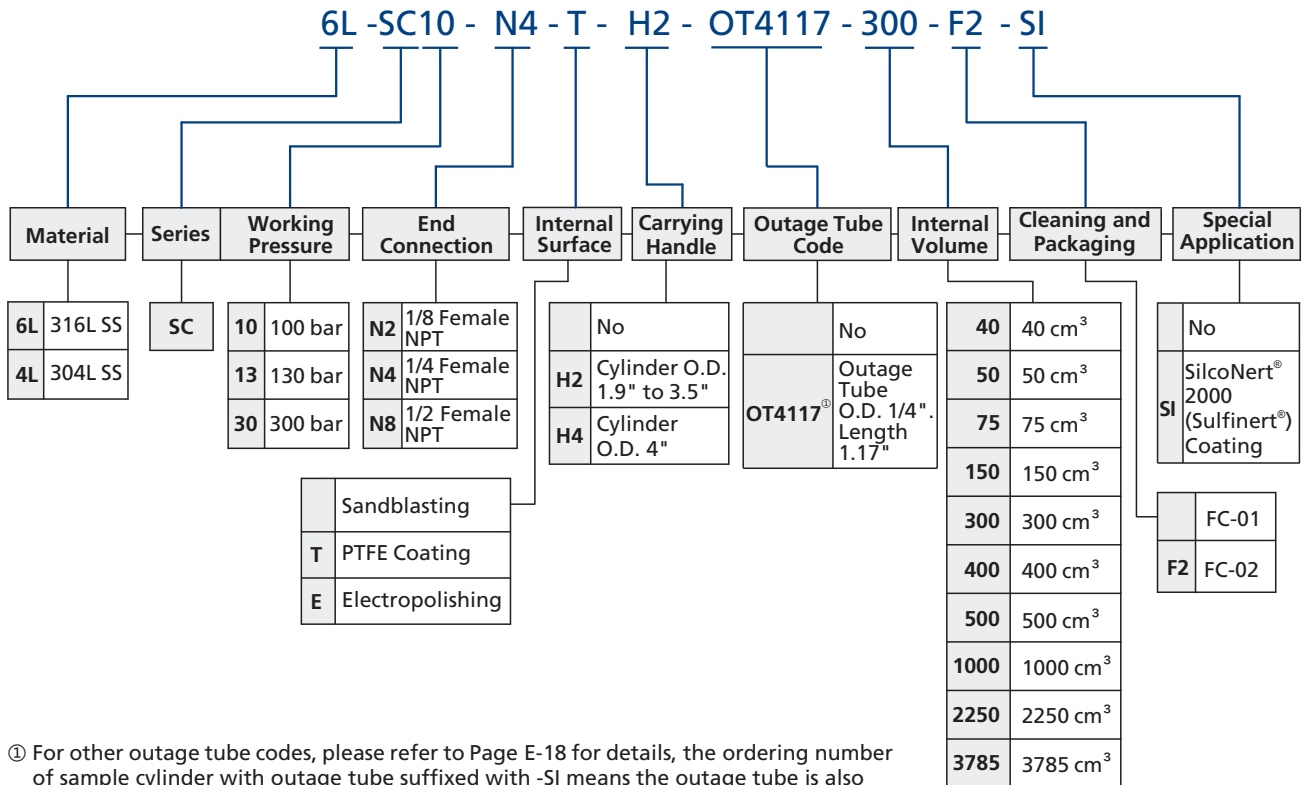
E-24 Sample Cylinders Compliant with TPED

Caps and Plugs

Caps and plugs are used for cylinder valves to protect the connections (tube fitting or NPT thread) from damages during cylinder transportation. For details, please contact FITOK Group or our authorized distributors.



Ordering Number Description



① For other outage tube codes, please refer to Page E-18 for details, the ordering number of sample cylinder with outage tube suffixed with -SI means the outage tube is also SilcoNert[®] 2000 (Sulfinert[®]) coated.

Note: "Ordering Number Description" is a reference to understand the combination rules of FITOK product part number. Not all combinations are available. If you have any question, please contact FITOK Group or our authorized distributors.