

Tools and Accessories



Contents

Hand Tube Benders

F-20

Tube Cutters

F-20

Tube Deburring Tools

F-21

Hydraulic Presetting Tools

F-21

Manual Presetting Tools

F-22

Gap Inspection Gauges

F-23

Bulkhead Retainers

F-23

Tee Wrenches

F-24

Hand Tube Benders

Features

- ⦿ For bending stainless steel and copper tubing from 1/4" to 1/2" and 6 mm to 16 mm outside diameter
- ⦿ Roll dies reduce bending force and tube ovality, as compared to conventional slide block design
- ⦿ 1° to 180° bending range

Ordering Information

Ordering Number	Tube O.D.	Bend Radius
HTB-4S	1/4"	0.56"
HTB-4	1/4"	0.75"
HTB-5	5/16"	0.94"
HTB-6	3/8"	
HTB-8	1/2"	1.5"
HTB-6M	6 mm	15 mm
HTB-8M	8 mm	24 mm
HTB-10M	10 mm	
HTB-12M	12 mm	38 mm
HTB-14M-L	14 mm	56 mm
HTB-16M-L	16 mm	

The hand tube bender can not be used for super duplex 2507 tubing over 1/4" or for medium-pressure tubing.



Tube Cutters

Features

- ⦿ For cutting stainless steel, soft copper, and aluminum tubing from 1/8" to 2 5/8" and 3 to 65 mm outside diameter
- ⦿ Flare-out and work hardening of tube end is reduced

Ordering Information

Ordering Number	Tube O.D.	Wheel Ordering Number
FTC-03	1/8" to 1" and 3 mm to 25 mm	FTC-03-RR
FTC-04	1/4" to 1 3/8" and 6 mm to 35 mm	FTCW-45
FTC-05	1/4" to 2 5/8" and 6 mm to 65 mm	



Tube Deburring Tools

Features

- ⦿ For deburring stainless steel, carbon steel, copper and aluminum tube ends
- ⦿ Steel blades for long life



Ordering Information

Ordering Number	Deburring Position	Size	Tube Material
TDT-01	I.D.	less than 6 mm	Stainless Steel, Carbon Steel, Copper, Aluminum
TDT-03	O.D.	6 mm to 38 mm and 1/4" to 1 1/2"	Copper, Aluminum
	I.D.		
TDT-05	O.D.	6 mm to 36 mm and 1/4" to 1 1/4"	Stainless Steel, Carbon Steel
	I.D.		

Hydraulic Presetting Tools

Features

- ⦿ To preset ferrules onto tubing
- ⦿ For installing 1/2" to 2" and 12 mm to 50 mm carbon steel, stainless steel, and alloy steel tube fittings
- ⦿ Manually operated hydraulic pump, without requirement for power or compressed air
- ⦿ Made of high grade alloy steel for more durable and firmer usage
- ⦿ Flexible hose connection between the pump and jig to assure easy and comfortable operation
- ⦿ Reduce assembly and installation time and operator error
- ⦿ Fit neatly in a rugged plastic carrying case
- ⦿ Figure dimensions (L x W x H): 12.6 in. x 9.8 in. x 5.9 in. (the height of handle excluded)



Ordering Information

HPT-03 Series

Ordering Number	Tube O.D.
HPT-03M	12 mm, 14 mm, 15 mm, 16 mm, 18 mm, 20 mm, 22 mm, 25 mm
HPT-03F	1/2", 5/8", 3/4", 7/8", 1"
HPT-03C	Exclusive of die heads, please select the die heads you need from HPT-03 MF series die heads
HPT-03MF	Include HPT-03M and HPT-03F

Die Heads for HPT-03MF Series

Ordering Number	Tube O.D.
HPT-ML12	12 mm
HPT-ML14	14 mm
HPT-ML15	15 mm
HPT-ML16	16 mm
HPT-ML18	18 mm
HPT-ML20	20 mm
HPT-ML22	22 mm
HPT-ML25	25 mm
HPT-FL8	1/2"
HPT-FL10	5/8"
HPT-FL12	3/4"
HPT-FL14	7/8"
HPT-FL16	1"

HPT-05 Series

Ordering Number	Tube O.D.
HPT-05M	28 mm, 30 mm, 32 mm, 38 mm, 50 mm
HPT-05F	1-1/4", 1-1/2", 2"
HPT-05C	Exclusive of die heads, please select the die heads you need from HPT-05MF series die heads
HPT-05MF	Include HPT-05M and HPT-05F

Die Heads for HPT-05MF Series

Ordering Number	Tube O.D.
HPT-ML28	28 mm
HPT-ML30	30 mm
HPT-ML32	32 mm
HPT-ML38	38 mm
HPT-ML50	50 mm
HPT-FL20	1-1/4"
HPT-FL24	1-1/2"
HPT-FL32	2"

Manual Presetting Tools

Features

For tube fitting installations in close quarters, the presetting tool can make installation easier and more reliable when paired with the table vice.

- ⦿ For installing 1/4" to 1" and 6 mm to 25 mm carbon steel, stainless steel and alloy steel tube fittings
- ⦿ High grade alloy used for clamp to make the presetting tool reliable and durable
- ⦿ Easy mounting to table vice
- ⦿ Wider and safer work condition



Ordering Information

Ordering Number	Tube O.D.
MPT-6M	6 mm
MPT-8M	8 mm
MPT-10M	10 mm
MPT-12M	12 mm
MPT-14M	14 mm
MPT-15M	15 mm
MPT-16M	16 mm
MPT-18M	18 mm
MPT-20M	20 mm
MPT-22M	22 mm
MPT-25M	25 mm

Ordering Number	Tube O.D.
MPT-4	1/4"
MPT-6	3/8"
MPT-8	1/2"
MPT-10	5/8"
MPT-12	3/4"
MPT-14	7/8"
MPT-16	1"

FITOK gap inspection gauge can not be used to check the fittings preset by MPT series presetting tools.

Gap Inspection Gauges

Features

On initial installation of 6D tube fittings, the FITOK gap inspection gauge assures the installer or inspector that a fitting has been sufficiently tightened.

- For all metal fittings, sizes from 1/16" to 1" and 2 mm to 25 mm
- Simple and consistent operation



Individual Sizes Series

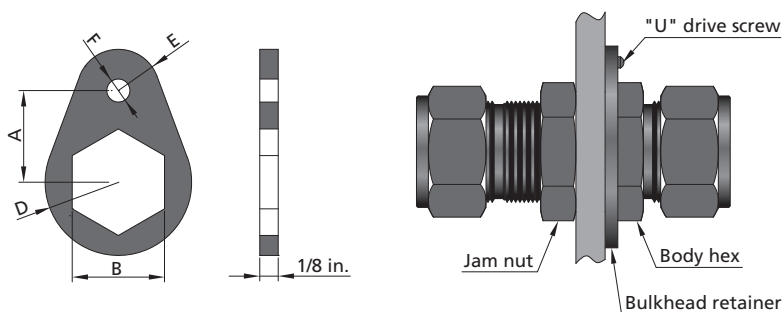


Multiple Sizes Series

Ordering Information

Fitting Size		Ordering Number
in.	mm	
1/16	—	GIG-1
1/8	2, 3	GIG-2
3/16	4	GIG-3
1/4	6	GIG-4
5/16	8	GIG-5
3/8	—	GIG-6
—	10	GIG-10M
1/2	12	GIG-8
5/8	14, 15, 16	GIG-10
3/4	18	GIG-12
7/8	20, 22	GIG-14
1	25	GIG-16
1/4, 3/8, 1/2	6, 12	GIG-468
1/4, 1/2	6, 8, 10, 12	GIG-48

Bulkhead Retainers



Bulkhead fitting installation utilizing bulkhead retainer

Ordering Information

Fitting Size		Ordering Number	Dimensions, in.					"U" Drive Screw Size	Drill Number	
in.	mm		A	B	D	E	F			Drill Hole Dia
1/16	—	SS-BR-1	3/8	5/16	5/16	5/32	5/32	0.120	6-3/8	31
1/8	—	SS-BR-2	1/2	1/2	13/32	7/32				
3/16	3,4	SS-BR-3	9/16	9/16	15/32	1/4				
1/4	6	SS-BR-4	5/8	5/8	1/2	9/32				
5/16	—	SS-BR-5	11/16	11/16	9/16	5/16				
—	8	SS-BR-M8	11/16	18mm	9/16	5/16				
3/8	—	SS-BR-6	3/4	3/4	5/8	11/32				
—	10	SS-BR-M10	15/16	22mm	3/4	13/32	7/32	0.161	10-1/2	20
1/2	12	SS-BR-8	15/16	15/16	3/4	13/32				
5/8	14,15,16	SS-BR-10	1	1-1/16	13/16	13/32				
3/4	18	SS-BR-12	1-1/16	1-3/16	29/32	15/32				
7/8	—	SS-BR-14	1-1/8	1-5/16	1-1/32	17/32				
1	25	SS-BR-16	1-9/32	1-5/8	1-5/32	9/16				

Tee Wrenches

Features

- ⦿ For the installation of union tees and crosses to hold fitting body firmly
- ⦿ Same wrench for similar metric and fractional fitting sizes
- ⦿ Small size, easy to carry



Ordering Information

Fitting Size		Fitting Type		Ordering Number
in.	mm	Tee	Cross	
1/8	3	✓	✓	TWR-2
1/4	6	✓	✓	TWR-4
5/16, 3/8	8	✓	✓	TWR-6
1/2	12	✓	✓	TWR-8
/	10	✓	①	TWR-10M

① Use TWR-8 for crosses in this specification.

info@fitok.com
www.fitok.com

FK-IC-GO-01-EN-240119