

Plug Valves

PV Series



FITOK Group

FITOK GmbH (Headquarter)
Spremlinger Landstr. 115, 63069 Offenbach am Main, Germany
Tel.: +49 69 8900 4498 Fax: +49 69 8900 4495

FITOK, Inc.
13843 North Promenade Blvd., Suite 750, Stafford, Texas 77477, USA
Tel.: +1 281 888 0077 Fax: +1 281 582 4051

FITOK Incorporated
1-4F, Block C, Zone E, Yingtailong Industrial Park, Dalang Street,
Longhua District, Shenzhen, 518109, China
Tel.: +86 755 2803 2500 Fax: +86 755 2803 2619

FITOK Middle East Oil Equipment Trading LLC
208-209, Makateb Tower, Airport Road, P.O.Box 185412, Deira, Dubai, UAE
Tel.: +971 4 2959 853 Fax: +971 4 2959 854

info@fitokgroup.com
www.fitokgroup.com

FK-IC-GV-06-EN-151023

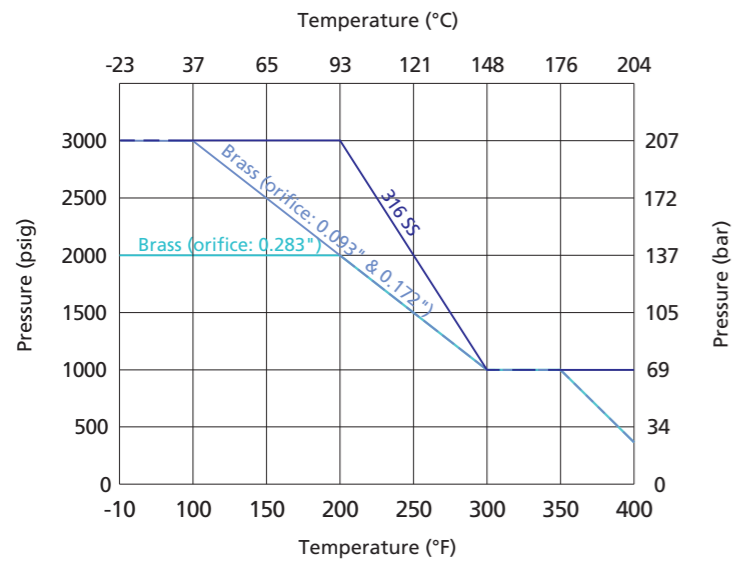
FITOK
Valves and Fittings

www.fitokgroup.com

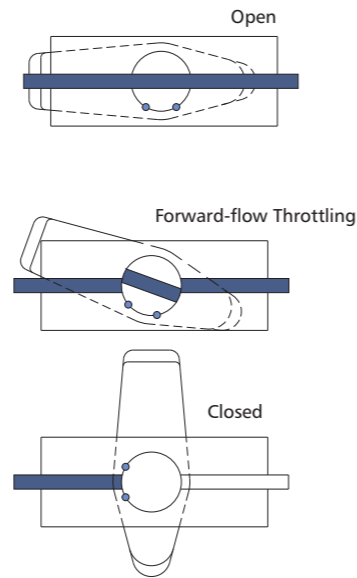
Features

- Working pressure up to 3000 psig (207 bar)
- Working temperature: -10°F to 400°F (-23°C to 204°C)
- Size from 1/8" to 3/4" and 6 to 12 mm
- Easy to maintain and clean
- Low operating torque
- Replaceable plug assembly
- Options for handle color
- Handle as indicator of flow direction
- Positive handle shutoff
- Leak-tight performance testing for every valve with nitrogen at the maximum working pressure

Pressure vs. Temperature



Operation (2-Way)



- Differential pressure is limited to 150 psig (10.3 bar) maximum if reverse flow occurs.
- Reverse flow throttling may damage O-ring.

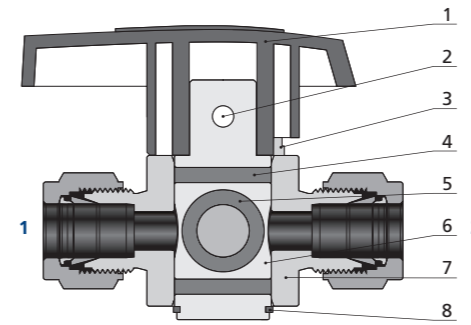
Downstream Vents (2-Way)

Plug and valve body allow pressure to be released to atmosphere when closed. The maximum working pressure for this operation is 150 psig (10.3 bar).



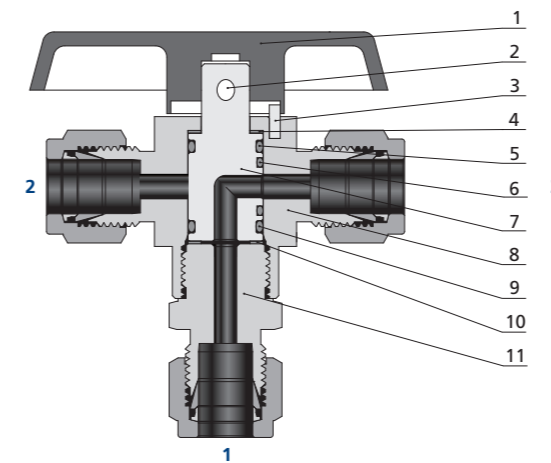
Standard Materials of Construction

2-way



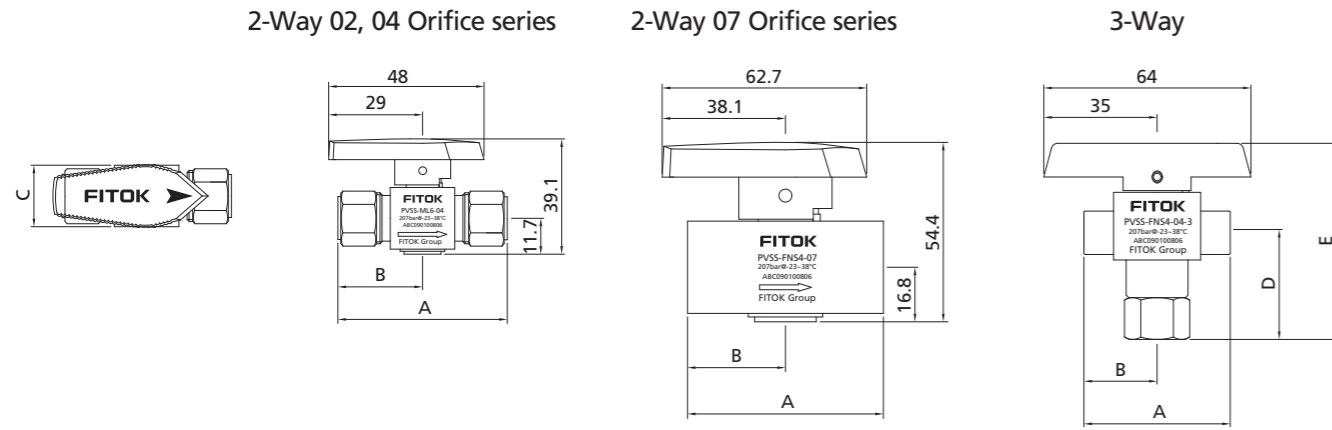
Item	Component	Valve Body Material	
		316 SS	Brass
		Material Grade/ASTM Specification	
1	Handle	Nylon or Aluminium	
2	Handle Pin	Stainless steel	
3	Body Pin	Stainless steel	
4	O-ring	Fluorocarbon FKM or Neoprene or Ethylene Propylene or Buna N or Kalrez	
5	O-ring	Fluorocarbon FKM or Neoprene or Ethylene Propylene or Buna N or Kalrez	
6	Plug	PTFE-coated 316 SS/A479	PTFE-coated brass/B453
7	Body	316 SS/A479	Brass/B453
8	Retaining Ring	Stainless steel	
Lubricant		Silicone-based	

3-way



Item	Component	Valve Body Material	
		316 SS	Brass
		Material Grade/ASTM Specifications	
1	Handle	Aluminium	
2	Handle Pin	Stainless steel	
3	Body Pin	Stainless steel	
4	Gasket	PTFE	
5	O-ring	Fluorocarbon FKM or Neoprene or Ethylene Propylene or Buna N or Kalrez	
6	O-ring	Fluorocarbon FKM or Neoprene or Ethylene Propylene or Buna N or Kalrez	
7	Plug	PTFE-coated 316 SS/A479	PTFE-coated brass/B453
8	Body	316 SS/A479	Brass/B453
9	O-ring	Fluorocarbon FKM or Neoprene or Ethylene Propylene or Buna N or Kalrez	
10	Gasket	PTFE	
11	Fitting	316 SS/A479	Brass/B453
Lubricant		Silicone-based	

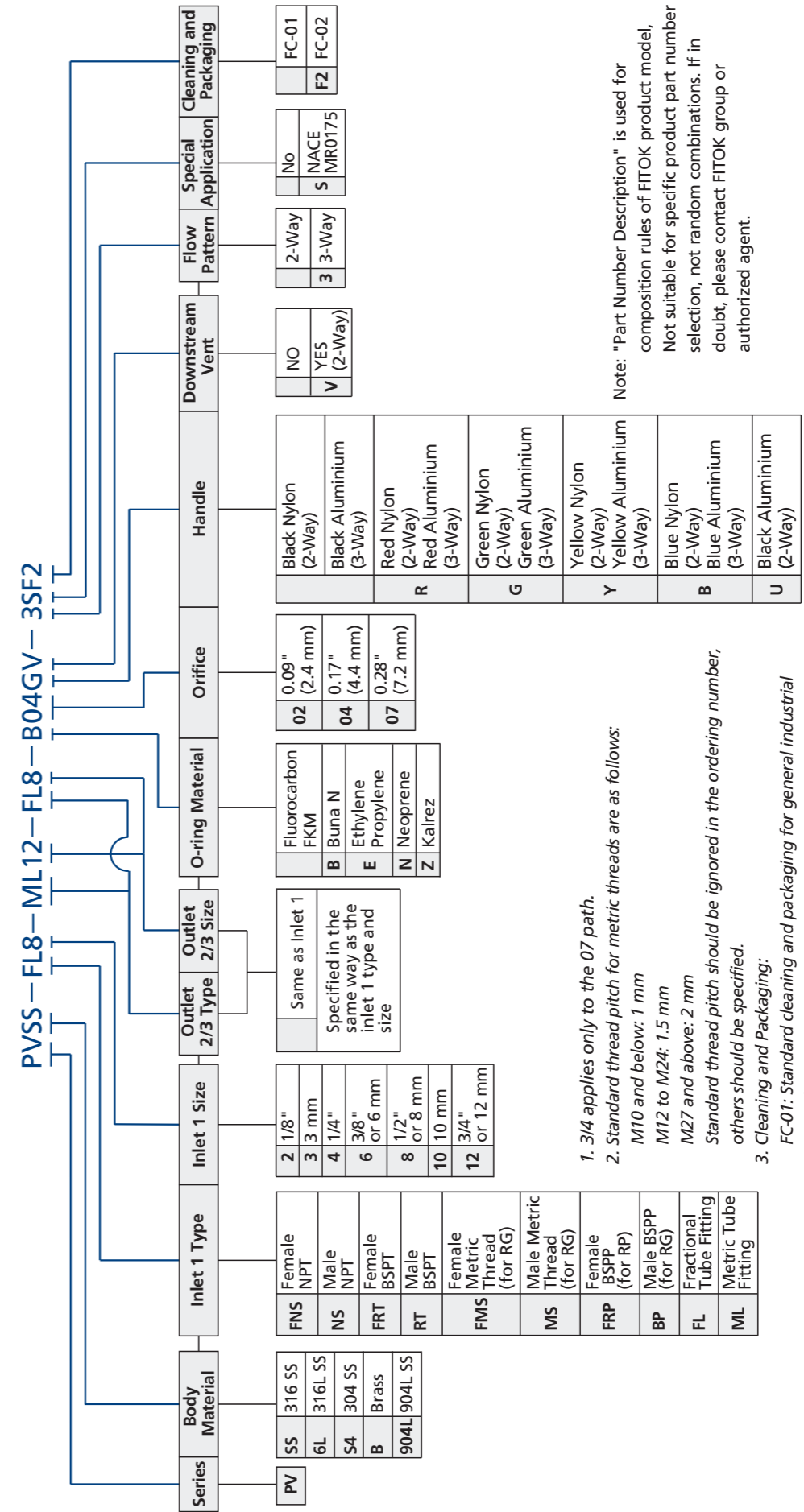
Dimensions



Basic Ordering Number		Connection Type and Size		Orifice in. (mm)	Cv	Dimension, in (mm)				
2-way	3-way	Inlet 1	Outlet 2/3			A	B	C	D	E
PV□□-FL2-02	PV□□-FL2-02-3	1/8" FITOK	1/8" FITOK	0.09 (2.4)	0.10	1.99 (50.5)	0.98 (24.9)	0.75 (19.0)	1.61 (40.8)	2.69 (68.4)
PV□□-FL4-04	PV□□-FL4-04-3	1/4" FITOK	1/4" FITOK	0.17 (4.4)	1.6	2.17 (55.1)	1.08 (27.4)		1.70 (43.3)	2.79 (70.9)
PV□□-FL6-04	PV□□-FL6-04-3	3/8" FITOK	3/8" FITOK	0.28 (7.2)	1.1	2.29 (58.2)	1.14 (29.0)	1.12 (28.5)	1.76 (44.8)	2.85 (72.4)
PV□□-FL6-07	PV□□-FL6-07-3	3/8" FITOK	3/8" FITOK		6.4	2.66 (67.6)	1.33 (33.8)		2.16 (54.8)	3.43 (87.2)
PV□□-FL8-07	PV□□-FL8-07-3	1/2" FITOK	1/2" FITOK	4.4	2.88 (73.2)	1.44 (36.6)	2.26 (57.3)	3.53 (89.7)		
PV□□-ML3-02	PV□□-ML3-02-3	3 mm FITOK	3 mm FITOK	0.09 (2.4)	0.10	1.99 (50.5)	0.98 (24.9)	0.75 (19.0)	1.61 (40.8)	2.69 (68.4)
PV□□-ML6-04	PV□□-ML6-04-3	6 mm FITOK	6 mm FITOK	0.17 (4.4)	1.6	2.17 (55.1)	1.08 (27.4)		1.70 (43.3)	2.79 (70.9)
PV□□-ML10-07	PV□□-ML10-07-3	10 mm FITOK	10 mm FITOK	0.28 (7.2)	6.4	2.68 (68.1)	1.34 (34.0)	1.12 (28.5)	2.17 (55.1)	3.44 (87.5)
PV□□-ML12-07	PV□□-ML12-07-3	12 mm FITOK	12 mm FITOK		4.8	2.96 (75.2)	1.44 (36.6)		2.26 (57.5)	3.54 (89.9)
PV□□-FNS2-04	PV□□-FNS2-04-3	1/8 Female NPT	1/8 Female NPT	0.17 (4.4)	1.2	1.78 (45.2)	0.89 (22.6)	0.75 (19.0)	1.31 (33.4)	2.40 (61.0)
PV□□-FNS4-04	PV□□-FNS4-04-3	1/4 Female NPT	1/4 Female NPT		0.9	2.10 (53.4)	1.05 (26.7)		1.50 (38.0)	2.58 (65.6)
PV□□-FNS4-07	PV□□-FNS4-07-3	1/4 Female NPT	1/4 Female NPT	0.28 (7.2)	4.3	2.38 (60.5)	1.19 (30.2)	1.12 (28.5)	1.89 (48.0)	3.17 (80.4)
PV□□-FNS8-07	PV□□-FNS8-07-3	1/2 Female NPT	1/2 Female NPT		2.7	2.88 (73.2)	1.44 (36.6)		2.08 (52.8)	3.35 (85.2)
PV□□-NS2-04	PV□□-NS2-04-3	1/8 Male NPT	1/8 Male NPT	0.17 (4.4)	1.0	1.53 (38.9)	0.76 (19.3)	0.75 (19.0)	1.37 (34.9)	2.46 (62.5)
PV□□-NS4-04	PV□□-NS4-04-3	1/4 Male NPT	1/4 Male NPT		1.0	1.90 (48.3)	0.95 (24.1)		1.55 (39.4)	2.64 (67.0)
PV□□-NS8-07	PV□□-NS8-07-3	1/2 Male NPT	1/2 Male NPT	0.28 (7.2)	2.4	2.64 (67.1)	1.32 (33.5)	1.12 (28.5)	2.15 (54.5)	3.42 (86.9)
PV□□-FRT2-04	PV□□-FRT2-04-3	1/8 Female BSPT	1/8 Female BSPT	0.17 (4.4)	1.2	1.78 (45.2)	0.89 (22.6)	0.75 (19.0)	1.31 (33.4)	2.40 (61.0)
PV□□-FRT4-04	PV□□-FRT4-04-3	1/4 Female BSPT	1/4 Female BSPT		0.9	2.09 (53.1)	1.11 (28.2)		1.50 (38.0)	2.58 (65.6)
PV□□-FRT4-07	PV□□-FRT4-07-3	1/4 Female BSPT	1/4 Female BSPT	0.28 (7.2)	4.3	2.38 (60.5)	1.19 (30.2)	1.12 (28.5)	1.99 (50.5)	3.26 (82.9)
PV□□-FRT8-07	PV□□-FRT8-07-3	1/2 Female BSPT	1/2 Female BSPT		2.7	2.88 (73.2)	1.57 (39.9)		2.18 (55.3)	3.45 (87.7)

- FITOK means FITOK double ferrule tube fittings.
- Sizes and types listed are standard. Other sizes and types are available upon request, refer to the ordering information.
- Dimensions are shown with FITOK nuts finger-tightened. All dimensions are for reference only and are subject to change. For dimensions not shown above, please contact the authorized representative or FITOK Group.

Part Number Description



Note: "Part Number Description" is used for composition rules of FITOK product model, Not suitable for specific product part number selection, not random combinations. If in doubt, please contact FITOK group or authorized agent.

- 3/4 applies only to the 07 path.
- Standard thread pitch for metric threads are as follows:
M10 and below: 1 mm
M12 to M24: 1.5 mm
M27 and above: 2 mm
Standard thread pitch should be ignored in the ordering number, others should be specified.
- Cleaning and Packaging:
FC-01: Standard cleaning and packaging for general industrial procedures.
FC-02: Special cleaning and packaging for wetted system components to ensure compliance with product cleanliness requirement as stated in ASTM G93 Level C.